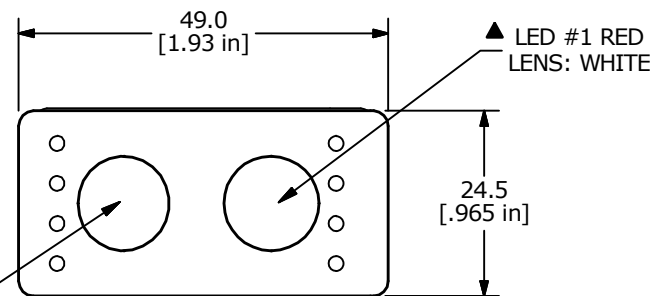


RECOMMENDED PANEL CUT-OUT

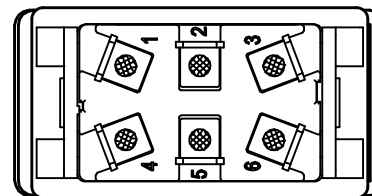
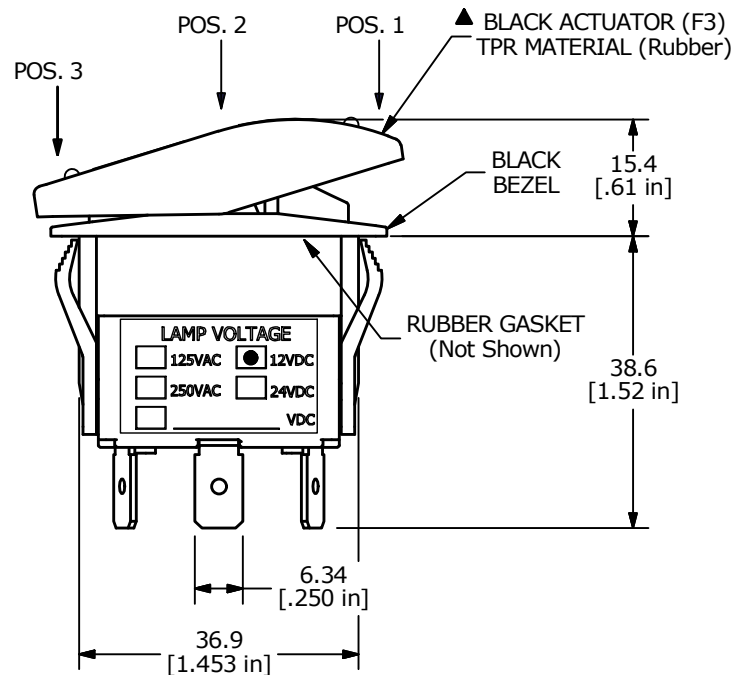
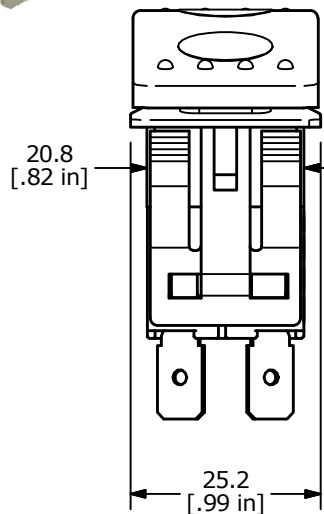
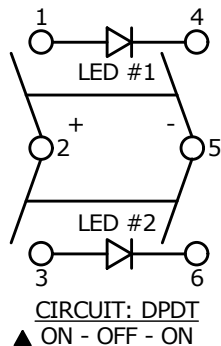
| PANEL THICKNESS | X |
|-----------------|--|
| 1.0 - 1.5 | 37.3 ^{+0.0} / _{-0.1} |
| 2.5 - 3.0 | 37.5 ^{+0.0} / _{-0.1} |
| 3.5 - 4.5 | 37.7 ^{+0.0} / _{-0.1} |



LED #2 RED LENS: WHITE

LED #1 RED LENS: WHITE

| ▲ SWITCH FUNCTION | | |
|-------------------|--------|----------|
| POS. 1 | POS. 2 | POS. 3 |
| | | |
| ON | OFF | ON |
| 1-2, 4-5 | OFF | 2-3, 5-6 |



NOTES:

- ALL DIMENSIONS IN MM [INCH]
- GENERAL TOLERANCE: X.X = ±0.4
X.XX = ±0.25
- TERM. NOS. FOR REF. ONLY
- RATING: 16A @ 6-30VDC, 50/60 Hz, μT85/T55
- ELECTRICAL LIFE: 10,000 CYCLES
- MECHANICAL LIFE: 30,000 CYCLES
- CONTACT RESISTANCE: <20 MILLI-OHMS INITIAL
- DIELECTRIC STRENGTH: >1,500V AC 1MIN
- INSULATION RESISTANCE: >100 MOHMS @ 500VDC
- OPERATING TEMP: 0°C to 55°C
- ▲ LED VOLTAGE: 12VDC
- ▲ DENOTES CRITICAL PARAMETER.
- 2011/65/EU (ROHS) COMPLIANT



| | | | | |
|-----|--------|-------------|---------|----|
| A | 23274 | New Release | 3/23/18 | MW |
| REV | PCR NO | DESCRIPTION | DATE | BY |

| | | | | |
|--------------------------|----------------|-------|-------------|-------|
| TITLE R723FF3-SXXX2B4RRW | | | | |
| SCALE 1:1 | DATE 3/23/2018 | DR MW | DWG C700040 | REV A |

THE INFORMATION CONTAINED IN THIS DOCUMENT IS PROPRIETARY TO E-SWITCH AND IS NOT TO BE COPIED OR TRANSFERRED